

Pre-drill a 5/64 pilot hole 3/4" deep

**NOTE:** This equipment has been tested and found to comply with the limits for a Class B digital device, pursuant to Part 15 of the FCC Rules. These limits are designed to provide reasonable protection against harmful interference when the equipment is operated in a residential environment. This equipment generates, uses, and can radiate radio frequency energy and, if not installed and used in accordance with the instruction manual, may cause harmful interference to radio communications. However, there is no guarantee that interference will not occur in a particular installation. If this equipment does cause harmful interference to radio or television reception, which can be determined by turning the equipment off and on, the user is encouraged to try to correct the interference by one or more of the following measures:

- Reorient or relocate the receiving antenna.
- Increase the separation between the equipment and receiver.
- Connect the equipment into an outlet on a circuit different from that to which the receiver is connected.
- Consult the dealer or an experienced radio/TV technician for help.

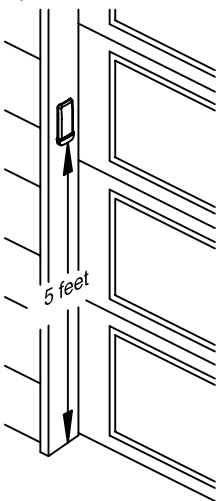
Pre-drill a 5/64 pilot hole 3/4" deep

**Drilling Template For Keyless Entry**

## Mounting

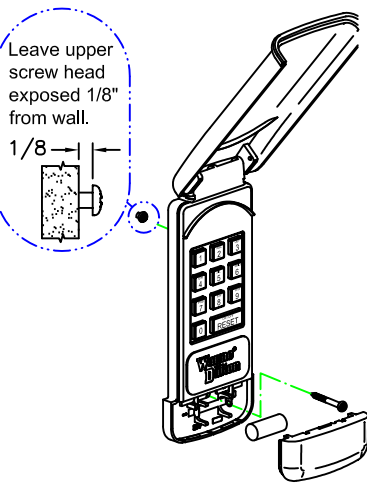
Locate Keyless Entry Unit: within sight of door, at a minimum height of 5 feet so it cannot be reached by small children, and away from all moving parts of the door.

Choose a convenient location that does not interfere with the normal opening and closing operation of the door, such as the door jamb.



**CAUTION: The keypad should be mounted a minimum of 5 feet from the floor to keep it out of the reach of small children.**

Two screws are included for proper mounting into wood or other similar material. If you're mounting into some other material, consult a building contractor to insure proper hardware is used for a secure mounting.



Once you have determined the mounting location, use the drilling template to determine hole positions and drill a 5/64" pilot hole 3/4" deep for the two mounting screws.

Insert screw into upper pilot hole leaving head of screw exposed about 1/8" from wall. Slide and lock back keyhole slot over exposed screw and position unit vertically. Remove battery door and battery. Insert lower screw and tighten. Replace battery and battery door.

## How Your Keyless Entry Operates Your Opener

The following explains how your Keyless Entry can be used to OPEN, CLOSE, START, and STOP your door.

1. Activate your keypad by pressing the ON/RESET button; keypad will illuminate.
2. Enter your 4-digit PIN (personal identification number); door will begin to move

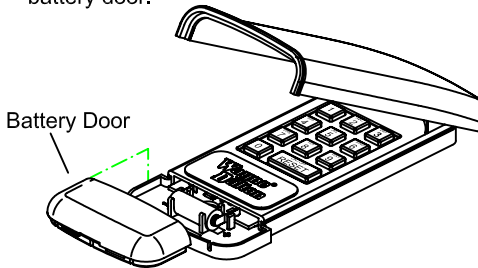
**NOTE:** If you inadvertently enter an incorrect code, the door will not move. Reset with the ON/RESET button and reenter your PIN number.

3. Unit remains active for next 15 sec. Pressing any key, except the ON/RESET, will stop the door if opening, or reverse the door if closing.

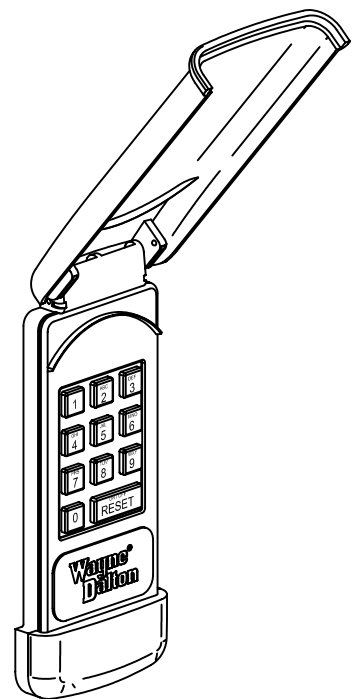
## Battery Replacement

Under normal operating conditions, the battery should be changed once every 12 months. **Dispose of used batteries properly.** To replace battery perform the following steps:

- A. Raise Keyless Entry Cover to expose battery door.
- B. Snap open door with a coin and remove old battery.
- C. Replace battery (12 volt MN 21) with positive terminal to right and snap close battery door.



## KEP2 Models Wireless Keyless Entry System



Your new KEP2 Model Wireless Keyless Entry contains a state-of-the-art wireless digital transmitter capable of operating an unlimited number of compatible garage door openers.

For added security, your Wireless Keyless Entry utilizes a "rolling code" technology that, each time the transmitter communicates with the receiver, sets a new code, selecting from millions of combinations, reducing the possibility of electronic equipment causing unwanted access.

**For proper operation it is important that you follow the programming directions and sequence as written.**

Wayne Dalton Corp.  
One Door Drive ■ Mt. Hope, OH 44660  
800-305-4349 ■ Fax 800-884-5065



P/N 288832P7

## START HERE

**PLEASE READ ALL INSTRUCTIONS THOROUGHLY TO FAMILIARIZE YOURSELF WITH THE PROGRAMMING PROCEDURE BEFORE BEGINNING. SAVE THESE INSTRUCTIONS FOR REFERENCE WHENEVER YOU WISH TO CHANGE YOUR PERSONAL IDENTIFICATION NUMBER (PIN)**

Before your Wireless Keypad will be able to operate the opener, there are several programming steps that have to be completed.

## FCC WARNING

To comply with FCC rules, adjustment or modification of transmitter is prohibited. THERE ARE NO USER SERVICEABLE PARTS EXCEPT FOR BATTERY REPLACEMENT.

This device complies with Part 15 of the FCC Rules. Operation is subject to the following two conditions: (1) This device may not cause harmful interference, and (2) this device must accept any interference received, including interference that may cause undesired operation.

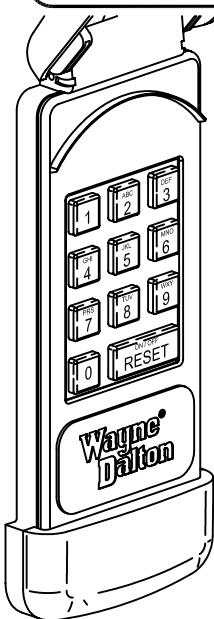
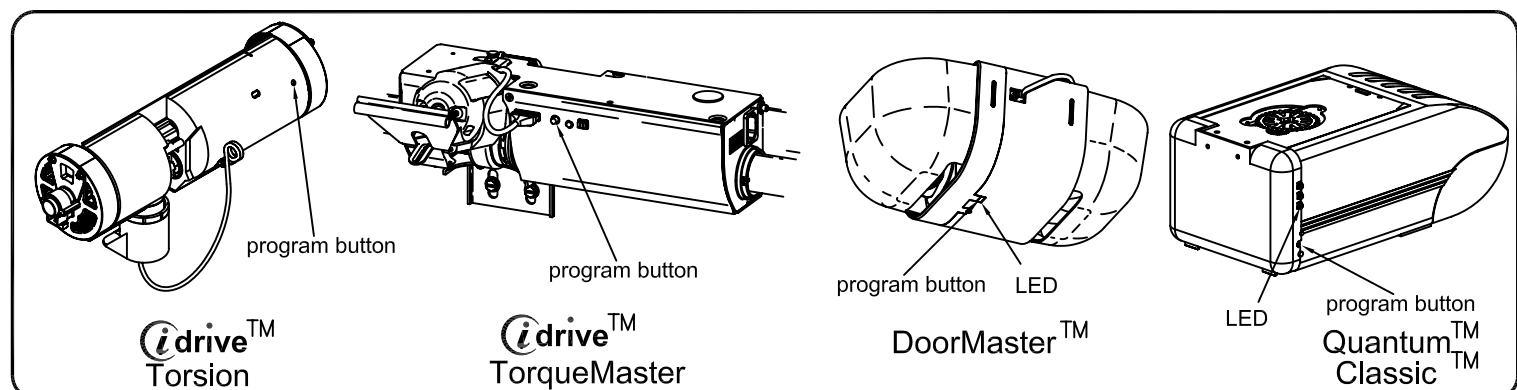


## WARNING

**Always keep moving door in sight and away from people and objects until it is completely closed. NO ONE SHOULD CROSS THE PATH OF THE MOVING DOOR.**

**Never let children operate or play with door controls. Keep all controls away from children.**

## Programming or Changing Personal Identification Number



**A.** With new installations, it is recommended that the keyless entry be programmed before mounting to wall, otherwise proceed to step B.

**B.** Unit can be programmed with garage door in either up or down position.

**C.** Press the transmitter program button on the garage door opener to switch the opener to the transmitter learn mode (see illustrations above). The idrive and idrive Torsion opener will remain in the learn mode for 30 seconds. The DoorMaster opener will remain in the learn mode for 15 seconds. The Quantum / Classic opener will remain in the learn mode for 60 seconds.

**D.** Push the ON/RESET button of the keyless entry. *Keypad will light indicating the unit has been activated and is waiting for commands (illumination may not be visible in sunlight).*

**E.** Press the desired four digit PIN number, then hold the "0" key until door moves. (example: 1-2-3-4-0). Release "0" key. Programming is now complete.

**NOTE:** IF, AT ANY TIME, AN ERROR WAS MADE IN ENTERING THE CODES, SIMPLY PRESS THE ON/RESET BUTTON AND REPEAT THE ABOVE PROCEDURES.

**Note:** One KEP2 Keyless Entry can be programmed to open multiple garage door openers. To program for additional openers, repeat steps A thru E above except input a different four digit PIN number for each additional opener.