

BOOMCO



INSTRUCTIONS
BOOMCO.COM

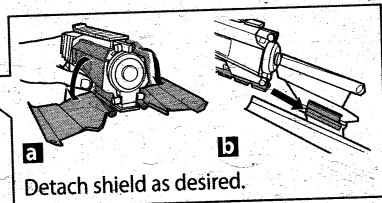
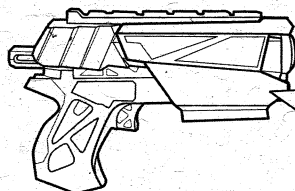
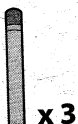
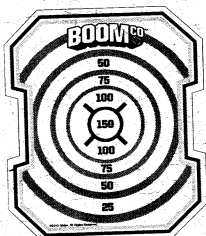
WARNING: Do not aim at eyes or face. Only use projectiles supplied with this toy. Do not fire at point blank range. Always wear appropriate eye-wear, sold separately.

FARSHOT BLASTER

6+

Please keep these instructions for future reference as they contain important information.

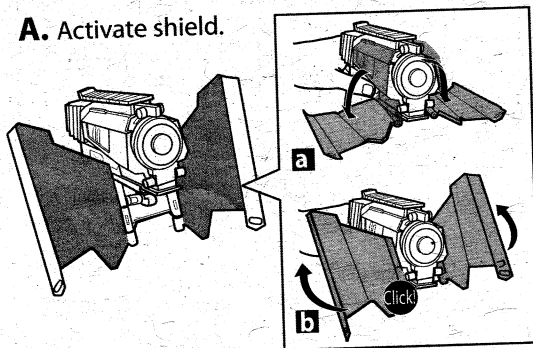
1 CONTENTS



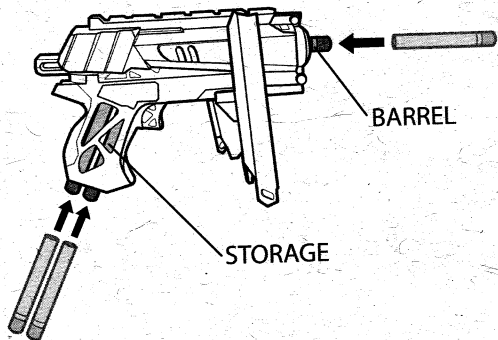
2 TO PLAY

CAUTION: Do not aim at eyes or face.
TO AVOID INJURY: Use only darts designed for this product.
Do not modify darts or dart blaster.

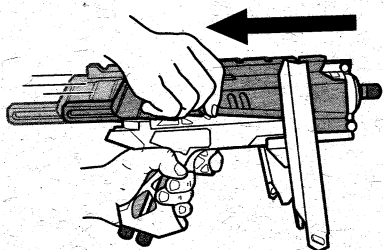
A. Activate shield.



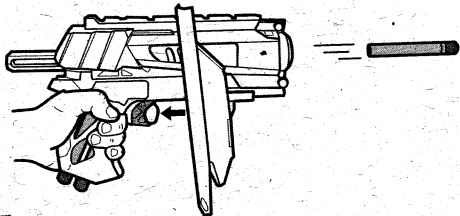
B. Load darts into barrel and storage.



C. Pull slide all the way back and release.

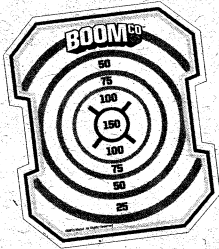


D. Pull trigger to fire.



NOTE:
Dart must be inserted in barrel to pull trigger.
Unload dart from barrel and do not pull slide back when not in use.

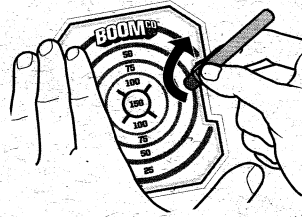
3 ATTACHING TARGETS



Peel backing off target before sticking it to surface.

✘ Do not stick target to walls or furniture as it may cause damage to the surface.

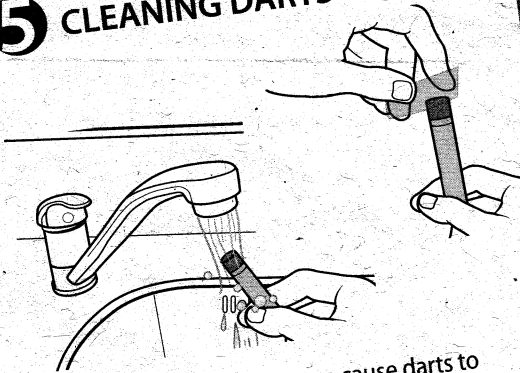
4 REMOVING DARTS



IMPORTANT:

Always remove darts from target after play. Keep one hand pressed on target, hold dart by the tip and gently peel dart off.

5 CLEANING DARTS



Dust, dirt, and other debris can cause darts to lose their adhesiveness.

To clean darts, rinse darts' tips with tap water or use tape to remove excess debris.

NOTE: Dry darts before using again.

6 REPLACING TARGETS & SHIELDS



Y8620/BBY17

Replace time-worn targets and shields with **Y8620/BBY17 SMART STICK REFILLS.**

Each sold separately, subject to availability.

©2014 Mattel. All Rights Reserved. Mattel, Inc., 636 Girard Avenue, East Aurora, NY 14052, U.S.A. Consumer Relations 1-800-524-8697. Mattel U.K. Ltd., Vanwall Business Park, Maidenhead SL6 4UB. Helpline 01628 500303. Mattel Australia Pty., Ltd., Richmond, Victoria. 3121. Consumer Advisory Service - 1300 135 312. Mattel East Asia Ltd., Room 503-09, North Tower, World Finance Centre, Harbour City, Tsimshatsui, HK, China. Diimport & Diedarkan Oleh: Mattel SEA Ptd Ltd. (993532-P) Lot 13.5, 13th Floor, Menara Lien Hoe, Persiaran Tropicana Golf Country Resort, 47410 PJ. Malaysia. Tel: 03-78803817, Fax: 03-78803867.



Y5728-0920G3